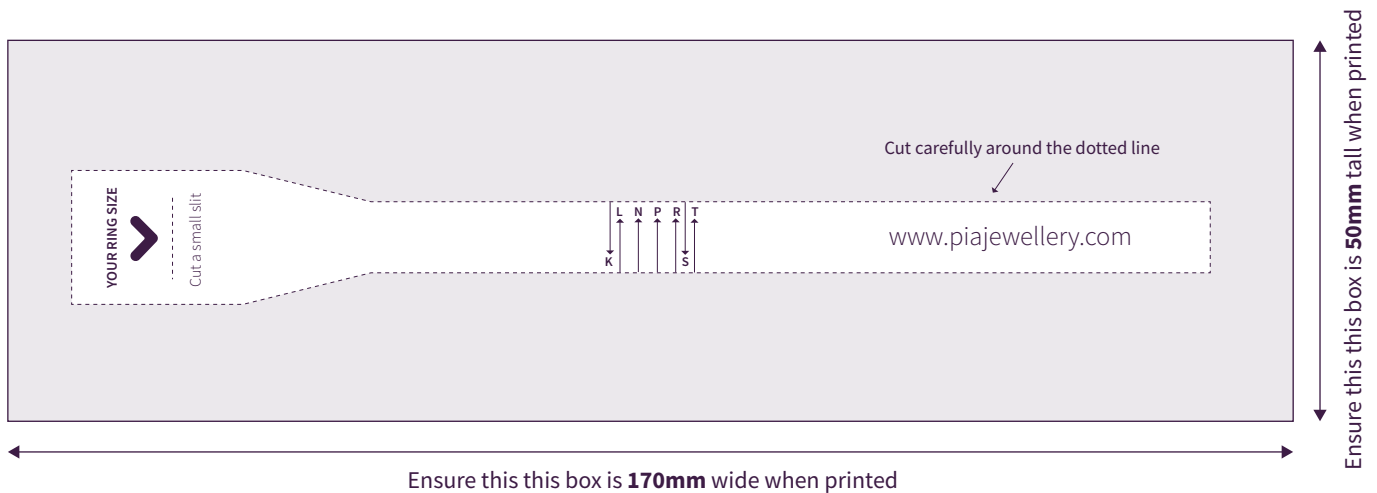


Our ring belt sizer is a handy tool that you can easily print at home to discover the right ring size for yourself or if you're looking to buy for someone else.



HOW TO PRINT YOUR SIZE GUIDE

To begin, print this document on an A4 piece of paper.

At this stage, ensure that the option to 'fit or shrink to page' **is not chosen** on your printer settings, as this will make the ring sizer inaccurate.

Once printed, check that the dimensions of the outer box are **170mm x 50mm** for an accurate reading.

HOW TO MEASURE YOUR RING SIZE

- Using the dashed lines as a guide, cut out the ring sizer.
It may be easier and more accurate to use a craft knife instead of scissors if available
- Carefully cut the slit at the top where it reads 'cut slit here'.
- Without tearing the paper, push the sizer's end through the slit.
- The end of the sizer will push through the slit, making a loop.
- Pop the loop over the finger to be measured.
- Adjust the sizer around your finger, making sure it isn't too tight or too loose.
- Slide it over your knuckle, making sure it can move on and off comfortably.
- Notice different ring sizes printed along the sizer – simply read the letter next to the arrow to identify your ring size.

Please note that the temperature of your hand will change the fit of the ring. When your hands are warm, a ring will feel tighter but when your hands are cold, a ring will feel looser. Bear this in mind when measuring for a suitable fit.